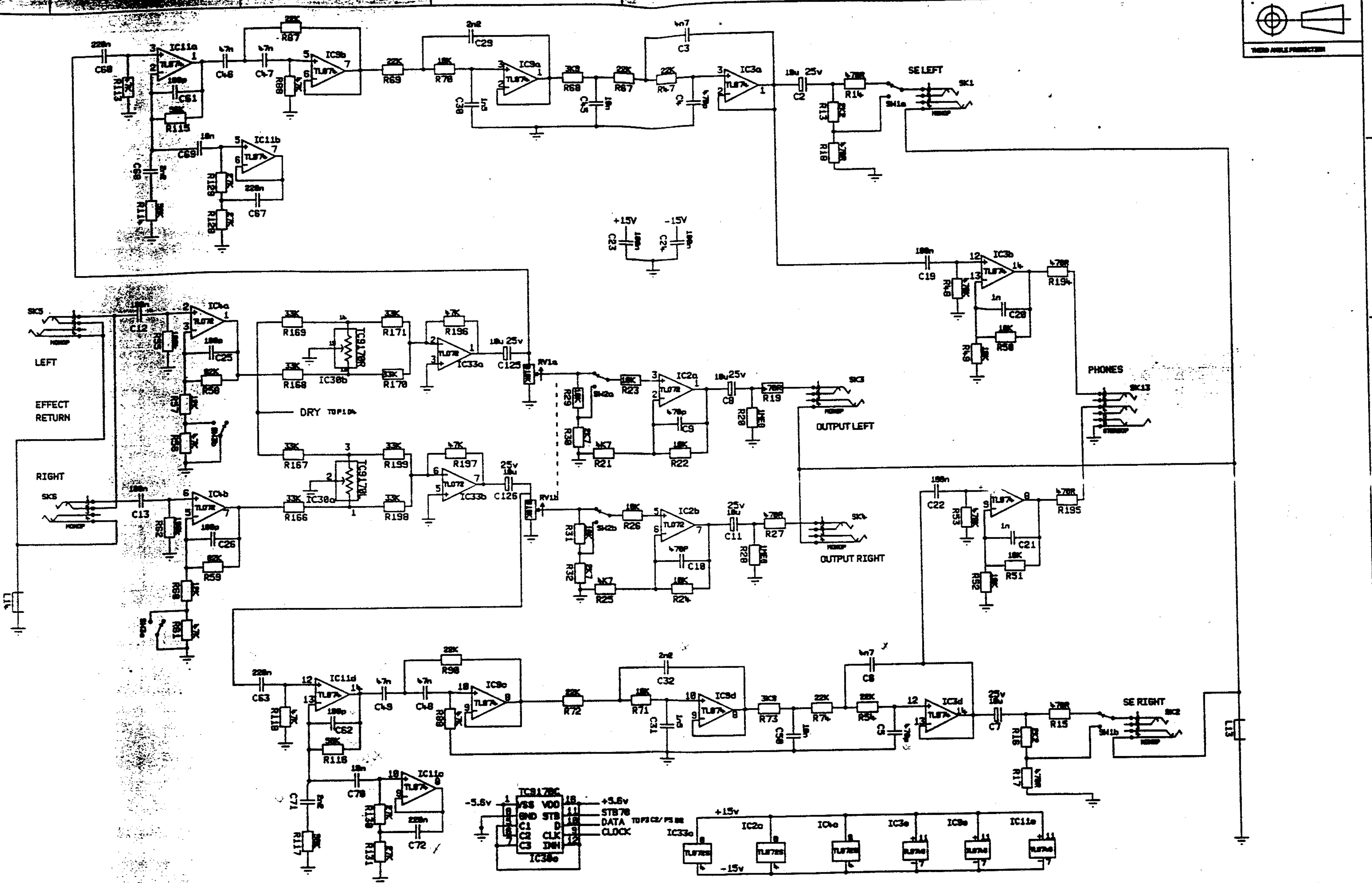


DWG.No. JMP1-61-04



UNSPECIFIED HOLE DATA			
JA	H		
JB	J		
JC	K		
JD	L		
JE	M		
JF	N		
JG	P		

ISS	ECO NUMBER	DATE	DESIGNER	APPROVED	DATE

Marshall

COPYRIGHT EXCEPT ON THIS DOCUMENT, IT MUST NOT BE USED FOR ANY PURPOSE OTHER THAN THAT FOR WHICH IT IS SUPPLIED AND MUST NOT BE COPIED OR WHOLE OR IN PART REPRODUCED WITHOUT THE WRITTEN PERMISSION FROM MARSHALL ELECTRONICS LTD.

© 1992 MARSHALL ELECTRONICS LTD.
 DENHAM ROAD, BLETCHLEY, MILTON KEYNES, MK1 1DB.
 TEL: 0908370111 FAX: 0908370110

TITLE	OUTPUT CCT
4 OF 6	A2
DWG.No	JMP1-61-04
ISSUE	1

JMP1

DATE 07/04/92
 DATE 20.5.92